

# Rigging Clamps

The **Adjustable Rigging Clamp** is a self adjusting, ready to install rigging clamp capable of safe working loads of up to 5,000 lbs. The shackle connection allows loads to be applied up to 45°. The Adjustable Rigging Clamp can accommodate a variety of flange widths and thickness and is installed without the need for any drilling or welding to the support beam.

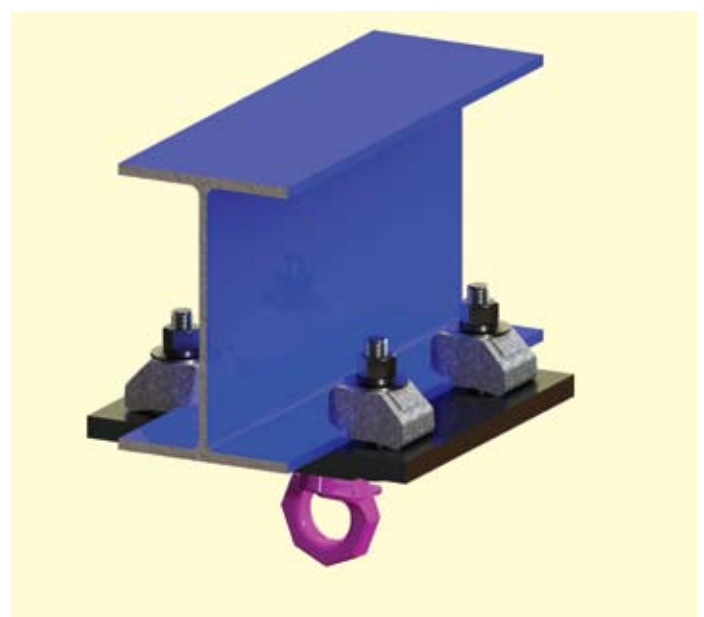
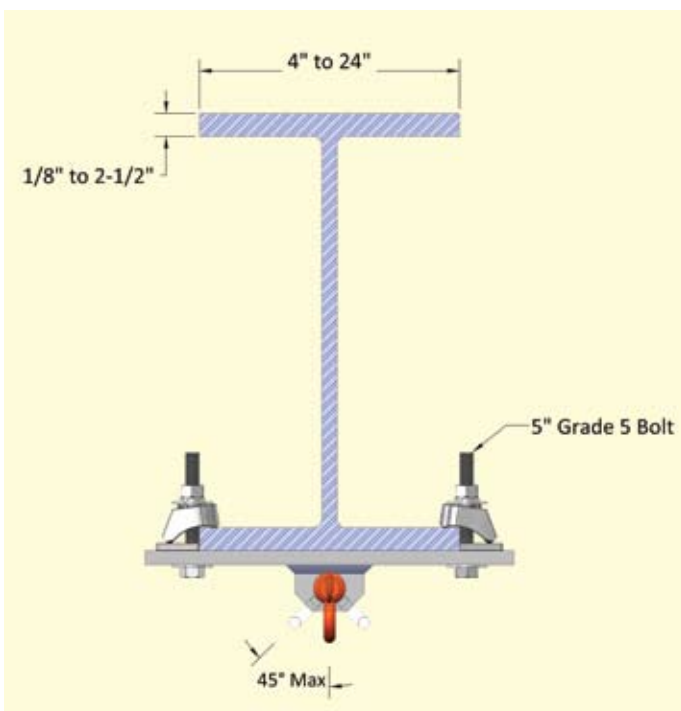
The Adjustable Rigging Clamp is available in five (5) standard sizes to accommodate any flange width from 4" to 24". The Adjustable Rigging Clamp is designed to be self adjusting to the flange thickness from as little as 1/8" to as thick as 2-1/2".

The Adjustable Rigging Clamp is designed to accommodate the safe working load not to exceed 5,000 lbs.



Product Code	Flange Width (in.)	Bolt Torque (ft/lbs)	Number of bolts	Safe Working Load (lbs. Do not exceed)
KRC062-A	4" to 8"	109	4	5,000 lbs.
KRC062-B	8" to 12"	109	4	5,000 lbs.
KRC062-C	12" to 16"	109	4	5,000 lbs.
KRC062-D	16" to 20"	109	4	5,000 lbs.
KRC062-E	20" to 24"	109	4	5,000 lbs.

*Note:* The structural integrity of the existing steelwork should be verified by a licensed structural Engineer



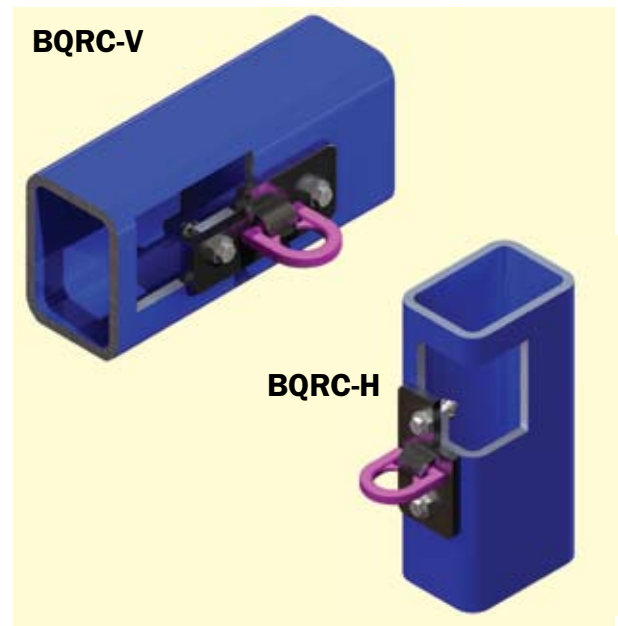
*Note:* Custom designed rigging and lifting points are available. Please contact LNA Solutions for more information.

# Rigging Clamps

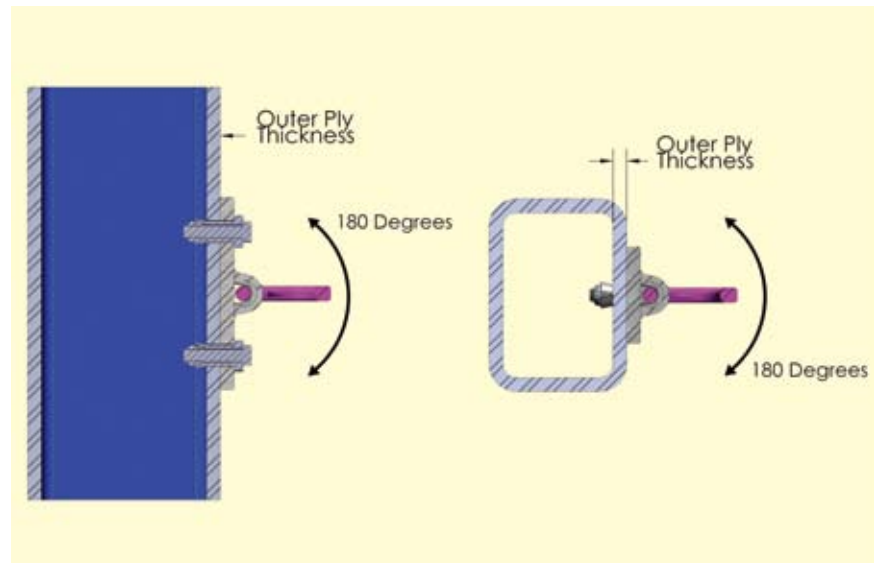
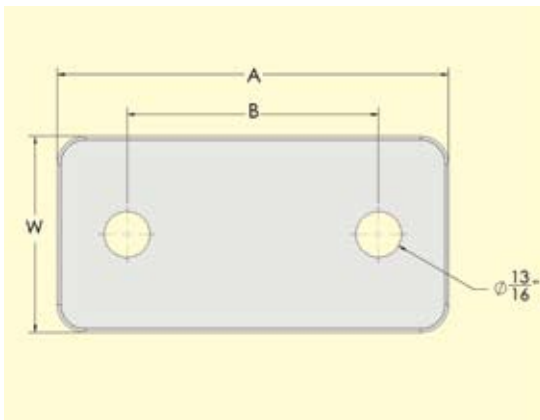
The LNA Solutions BoxBolt® Rigging Clamp is a means of attaching an anchor point to Hollow Structural Sections (HSS) and other structural members when access is available from only one side.

The standard BoxBolt® Rigging Clamp utilizes Hot Dip Galvanized M12 size 1 BoxBolts® and a load ring welded to a custom fabricated anchor plate that allows for Safe Working Loads up to 5000 lbs.

The BoxBolt® Rigging Clamp is easily installed by Drilling a pre-determined set of 13/16" holes into existing steelwork, lining up the anchor plate with the newly drilled holes, inserting and tightening the LNA Solutions BoxBolts® to the specified torque values. There is no more need for site welding, tapping, or strapping.



Product Code	Outer Ply Thickness	Hole Size	Safe Working Loads (lbs)	Torque (ft - lbs)	Dimensions			Thickness
					W	A	B	
<b>BQRC050-V</b>	1/8" - 1/2"	13/16"	5,000	59	3-1/2"	7-3/4"	5-1/4"	1/2"
<b>BQRC050-H</b>	1/8" - 1/2"	13/16"	5,000	59	3-1/2"	7"	4-1/2"	1/2"



## NOTES:

Blind Connection rigging and lifting points can be individually designed for each application and carry a wide range of load capacities (Up to 30 kips)

Although LNA Solutions guarantees the Safe Working Load of the BoxBolt® Connection, we are not responsible for the structural integrity of the existing steelwork. We recommend that a Licensed Structural Engineer be consulted to establish the capacity of the existing structural member.