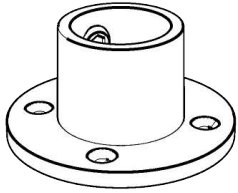
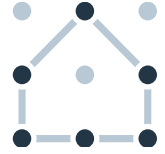


Table Frame

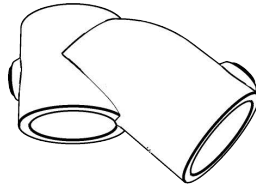
K-Frame Desk

SIMPLIFIED
BUILDING



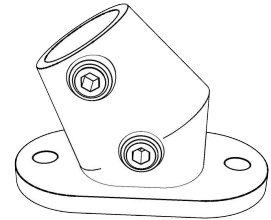
61-7
Flange

4x



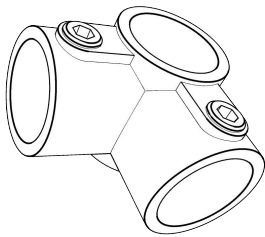
12-7
45° Angled Tee

2x



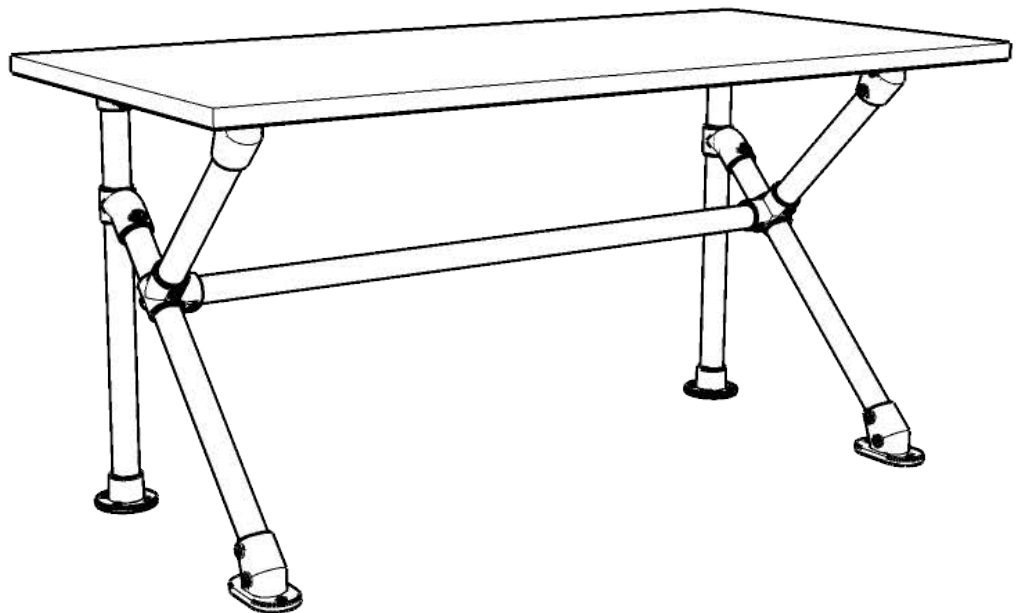
63-7
Angled Flange

4x



21-7
Side Outlet Tee

2x



2x 18 Inches

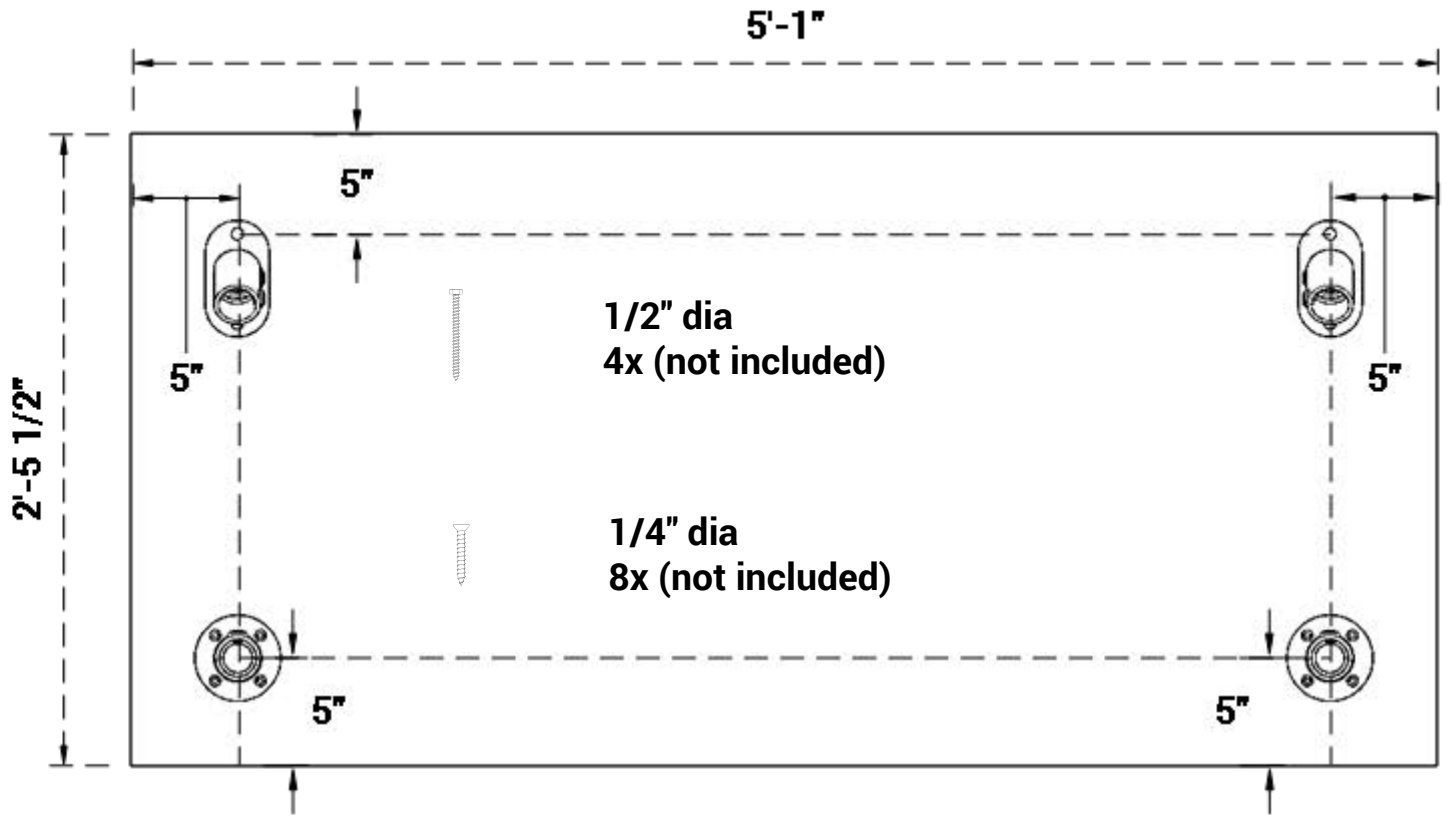
2x 24 Inches

2x 30 Inches

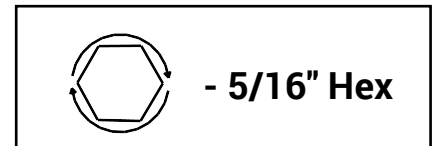
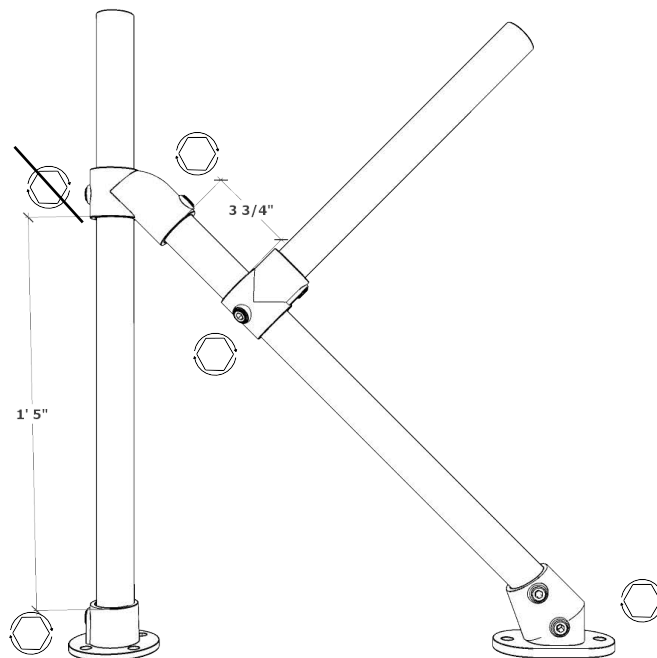
1x 49.25 Inches

1.

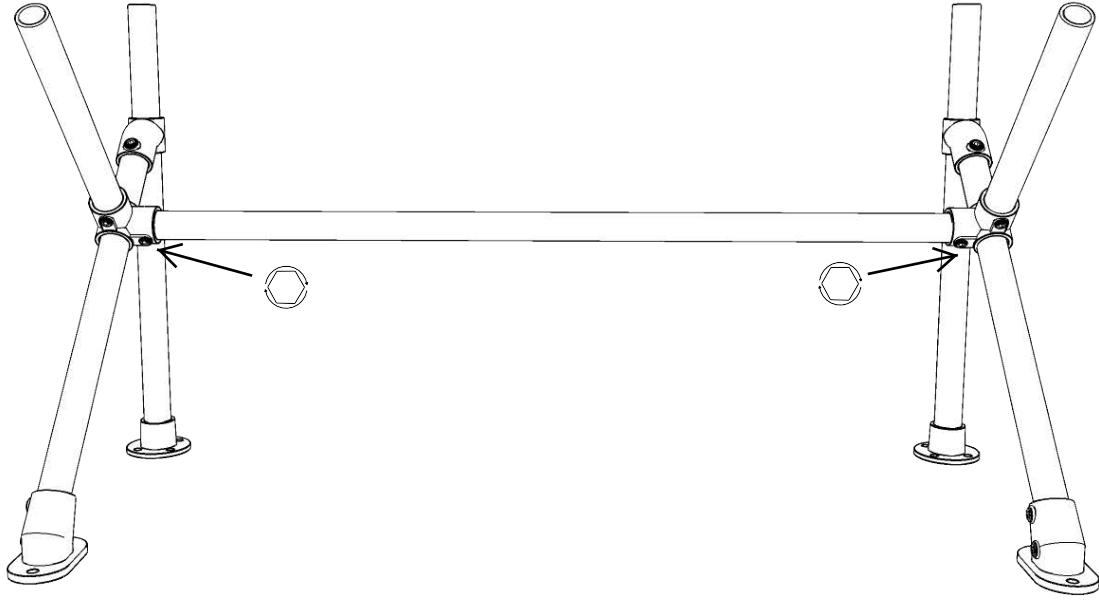
Tabletop Mounting Dimensions



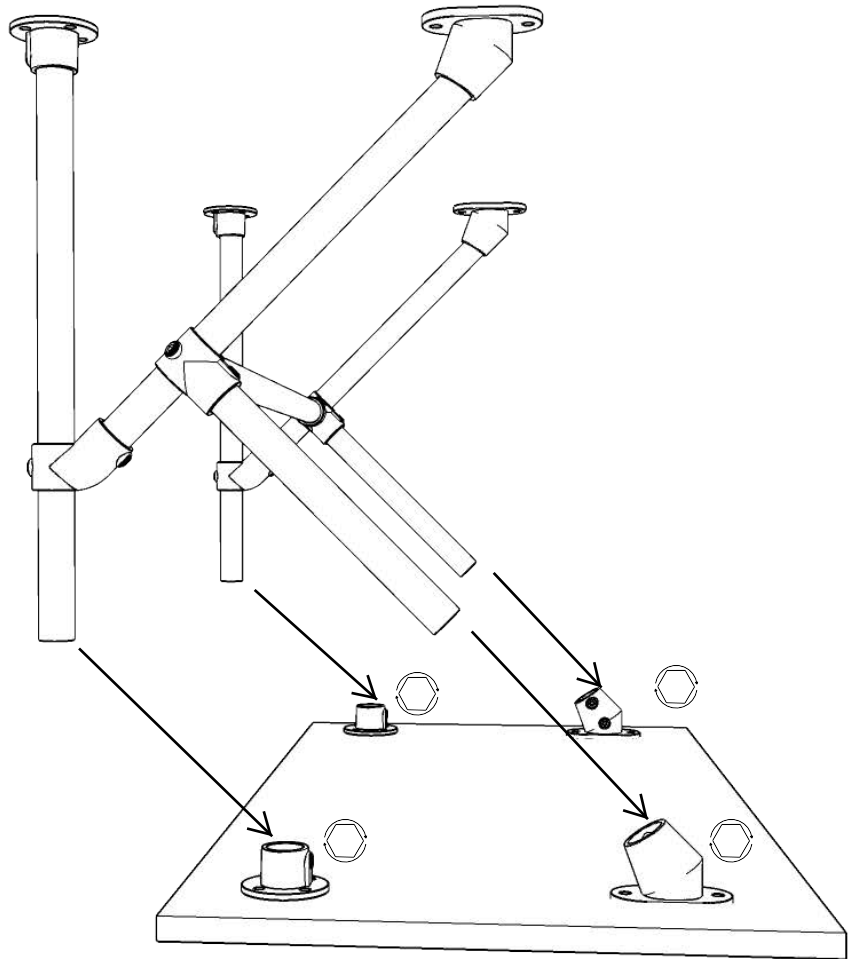
2.



3.



4.



INSTALLATION TIPS

1. Adjust individual fittings to square and level the frame.
2. Use a socket wrench with a 5/16" hex bit for faster assembly.
3. If the table seems wobbly, there may be a pipe slightly out of place. Loosen a few setscrews in the problem area and adjust as necessary.
4. Finish up your assembly by ensuring all setscrews are tightened properly.

