

Simple Rail

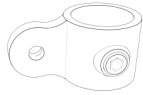
Surface C50

SIMPLIFIED
BUILDING



2X
62-7

Standard Railing
Flange



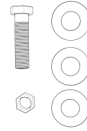
2X
M50-7

Male Swivel Socket



2X
F50-7

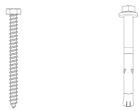
Female Swivel Socket



2X
Combo
Hardware Pack



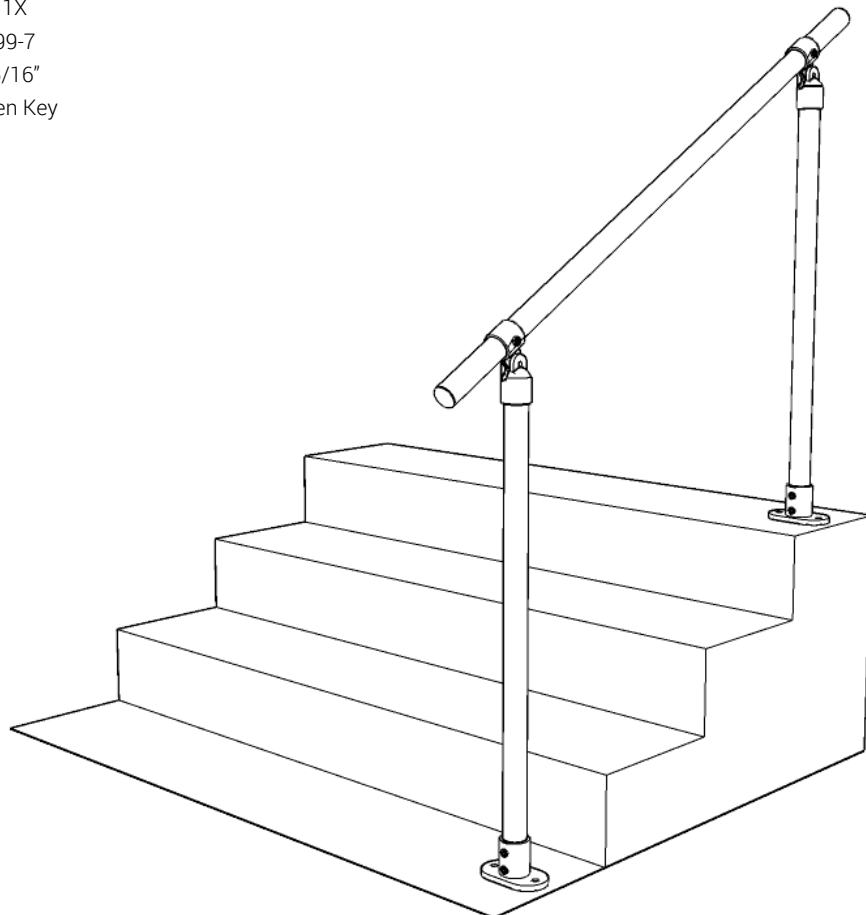
2X
84-7
Malleable Plug



4X (each)
Flange Fasteners
for Wood or
Concrete

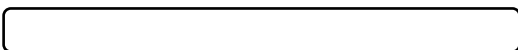


1X
99-7
5/16"
Allen Key

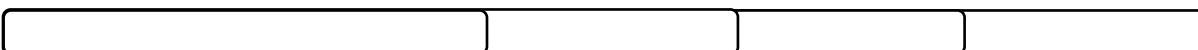


Pipe

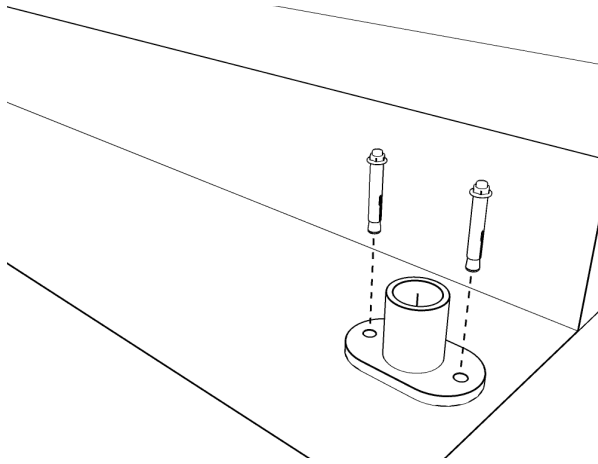
Posts, 36 inches (2X)



Handrail, Length Varies (1X)

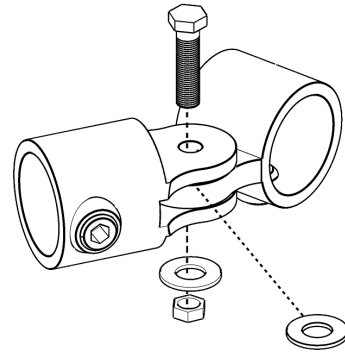


1.



Mark and drill 1/2" holes for the flange fasteners. Use the lag screws for wood, and the sleeve anchors for concrete or masonry. Consult a contractor for any nontypical mounting surfaces.

2.



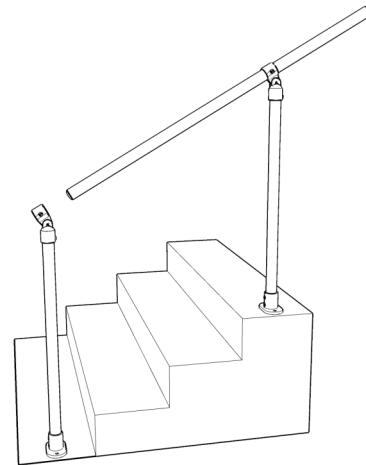
Slide the tab of the M50-7 in between the tabs of the F50-7 and align the fixing holes. Slide the bolt from the Combo Hardware Pack through the fixing holes and tighten with the locking nut. If there is space inside the tabs, slide a washer between them to prevent the tabs from cracking under the tension.

3.



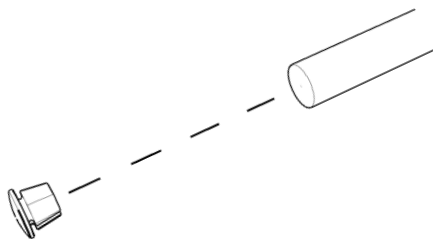
Slide the 36 inch pipe into the flange socket until it is touching the flange base plate. Slide the F50-7 socket down on top of the 36 inch pipe. Tighten all set screws.

4.



Slide the handrail pipe through the M50-7 sockets. Tighten set screws.

5.



Set the 84-7 malleable plug against each end of the handrail pipe. Cover the plug with a rag, and tap it into the pipe until the plate is flush with the end of the pipe.

Check the railing for sturdiness by pushing and pulling on the handrail. If there is any movement, re-tighten all set screws.

These instructions are meant to be a guide, and are not a substitute for construction experience. Consider consulting a contractor for your installation. For more information regarding Simple Rail, visit our website at <https://www.simplifiedbuilding.com/>, or speak to one of our team members, at 1 (888)527-2278.