

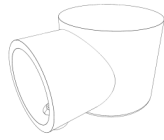
# Simple Rail

Surface 518

SIMPLIFIED  
BUILDING



2X  
62-8  
Standard Railing  
Flange



2X  
10-840C  
Single Handrail  
Socket Capped



2X  
518-7  
Handrail  
Bracket



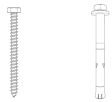
2X  
84-7  
Malleable Plug



1X  
99-7  
5/16"  
Allen Key



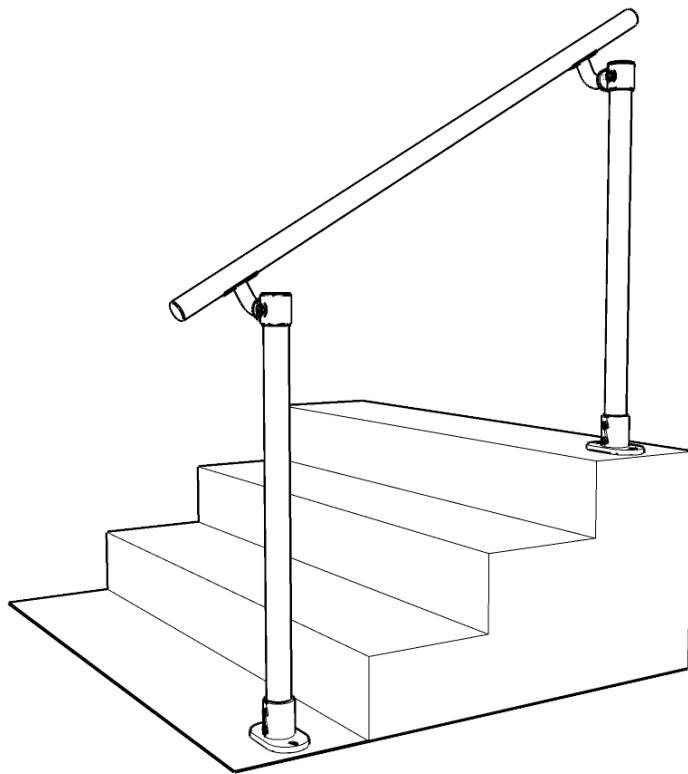
1X  
99-6  
1/4"  
Allen Key



4X(each)  
Flange Fasteners  
for Wood or  
Concrete



4X  
#10 x 3/4  
Self Tapping

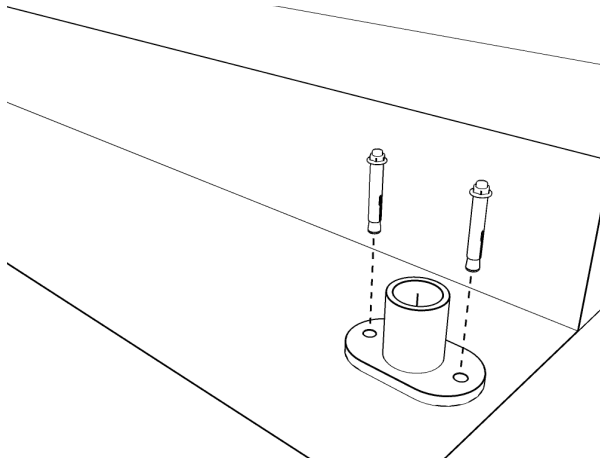


## Pipe

Posts, 32.5 inches (2X)

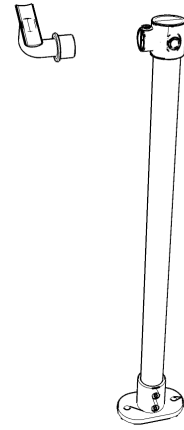
Handrail, Length Varies (1X)

**1.**



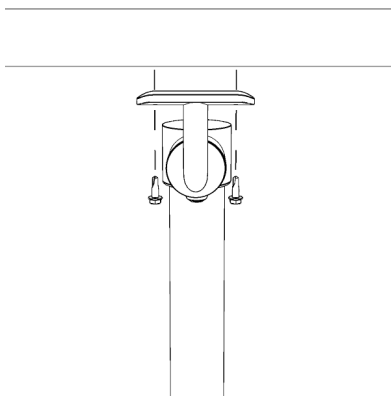
Mark and drill 1/2" holes for the flange fasteners. Use the lag screws for wood, and the sleeve anchors for concrete or masonry. Consult a contractor for any nontypical mounting surfaces.

**2.**



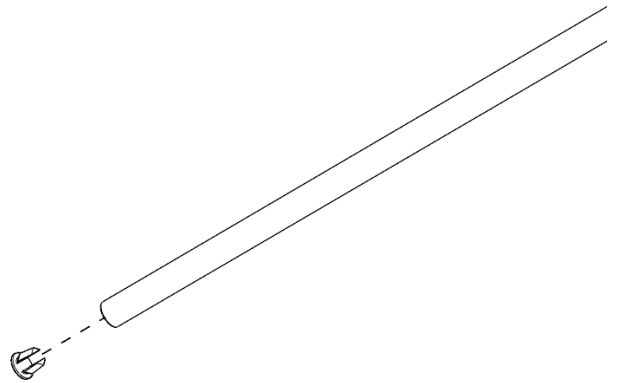
Slide the post pipe into flange socket. Slide the 10-840C onto the post pipe, then insert the handrail bracket into the side socket. Tighten set screws. Perform this action for both posts.

**3.**



Lay the handrail onto the brackets, with an equal amount of pipe extending past each post. Drive the self-tapping screws through the fixing holes into the pipe. Do this for both posts.

**4.**



Push the 84-7 Malleable Plug into the end of the handrail. Use a rubber mallet to tap the plug into the end until it's flush with the pipe edge. Do this for both ends of the handrail.

These instructions are meant to be a guide, and are not a substitute for construction experience. Consider consulting a contractor for your installation. For more information regarding Simple Rail, visit our website at <https://www.simplifiedbuilding.com/>, or speak to one of our team members, at 1 (888)527-2278.