

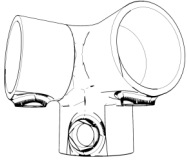
Simple Table

Rugged Table Frame

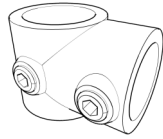
SIMPLIFIED
BUILDING



Fittings



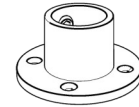
4X
61-7
Flange



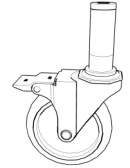
6X
10-7
Single Socket Tee



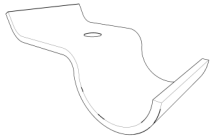
4X
133-7
Plastic Plug



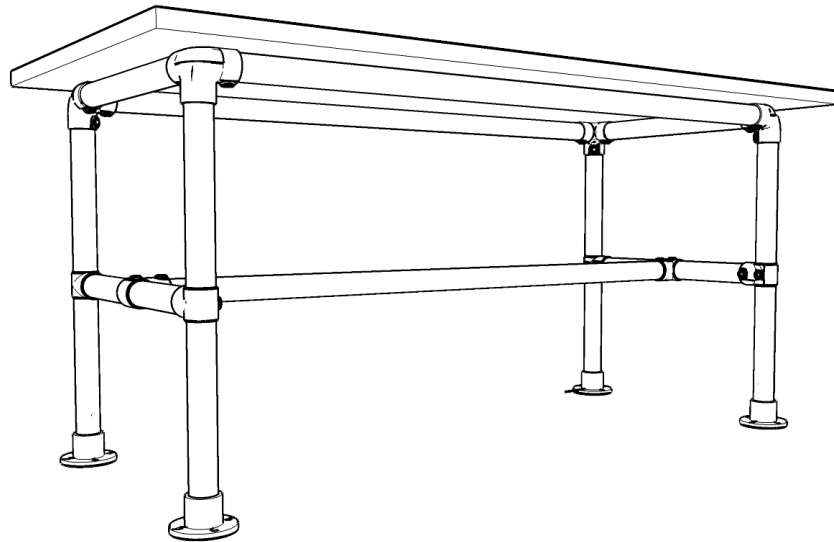
4X
61-7
Flange



4X
Caster
2 braking, 2 non-braking



4X
105-7
Flange



Pipe

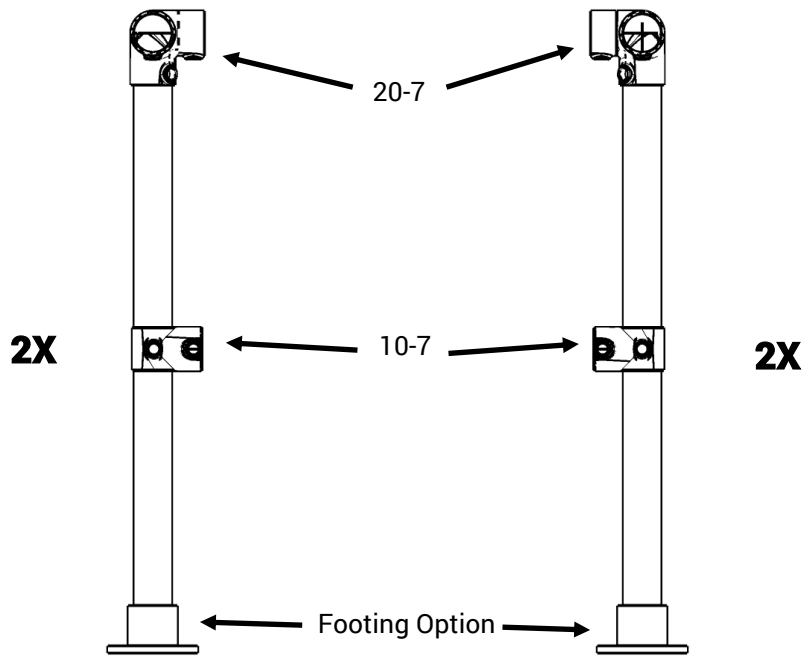
Legs, (4X)

Short Horizontals, (4X)

Long Horizontals, (3X)

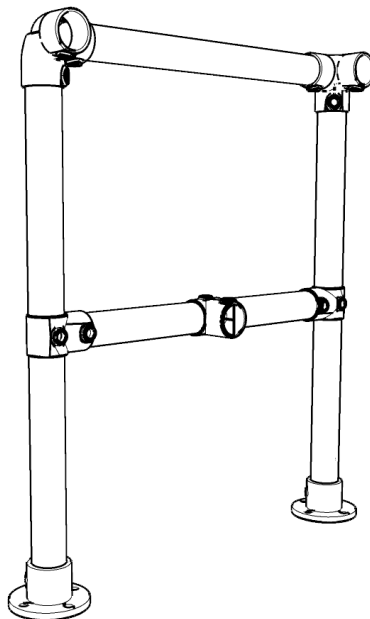
Assembly Instructions

1.



Assemble the posts as shown in the diagram above. You should have two of each orientation. Orient the 20-7 elbows so that the set screws are facing the floor and the inside of the frame. Tighten set screws. See page 4 for footing install instructions.

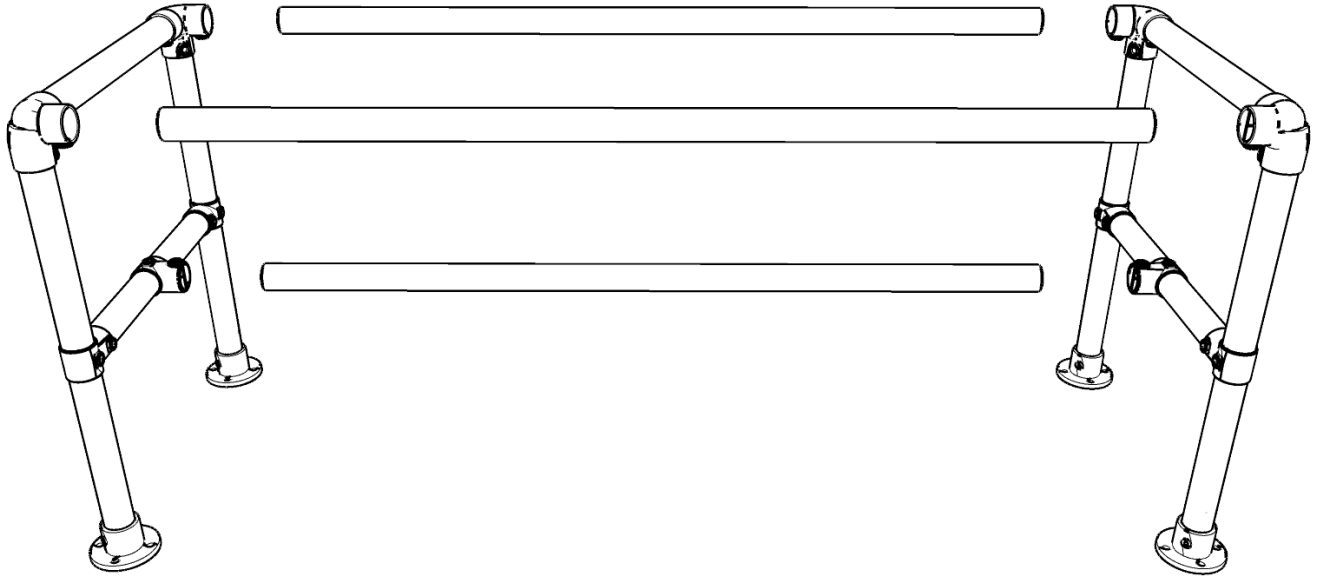
2.



Add the short horizontals between the posts as shown in the diagram above. Attach one 10-7 to the lower pipe on each end, facing the same direction as the open sockets on the 20-7s. Tighten set screws.

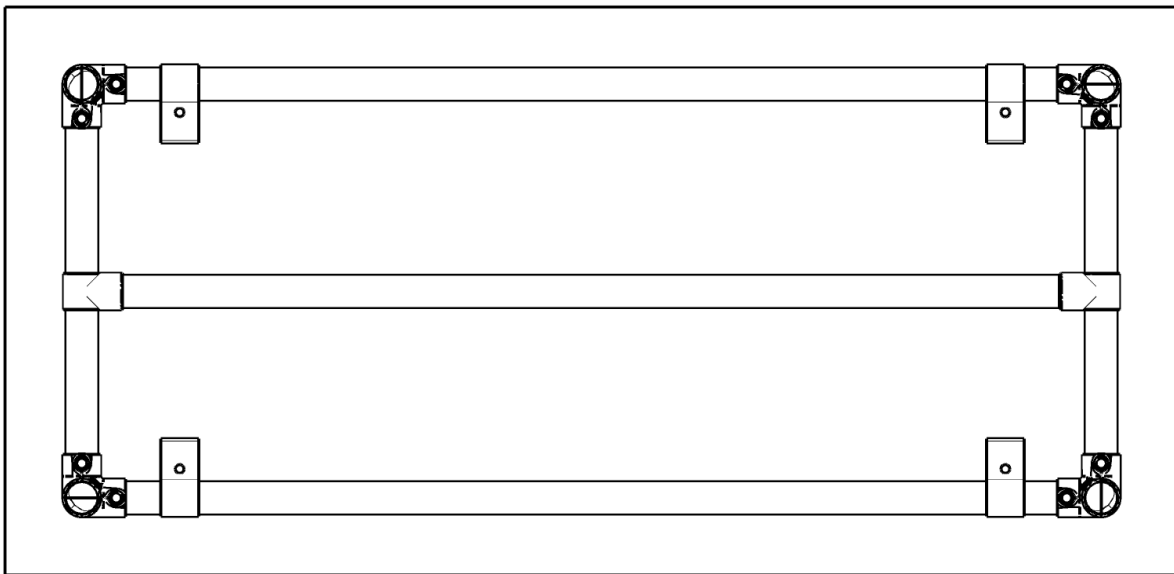
Assembly Instructions

3.



Attach the long horizontals between the 20-7 elbows and the 10-7 tees as shown in the diagram above. Tighten all set screws.

4.

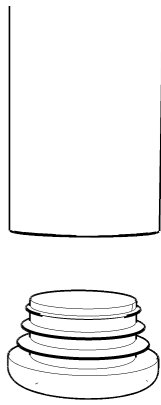


Set and center your table top over the frame. Press the saddle of the 105-7 sheeting clip against the upper long horizontal as shown in the diagram above. Drive a 1/4" screw through the fixing hole on the clip into the wood top until the head of the screw is tight against the clip.

NOTE: Sheeting clips are not necessary for stone or glass tops. Use adhesive rubber or neoprene on the elbows to prevent movement.

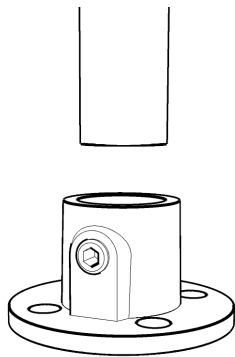
Footing Options

1.



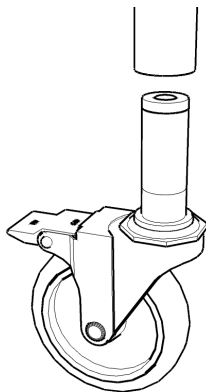
Press the tapered end of the 133-7 Plastic Plug against the end of the pipe. Use a hammer or mallet to tap the plug until the dome is flush with the pipe end.

2.



Slide the socket of the 61-7 Flange over the end of the pipe until it is touching the base plate of the flange. Tighten the set screw.

3.



Tighten the tension ring at the top of the stem until the stem is expanded slightly smaller than the inside diameter of the pipe. Slide the stem all the way into the pipe end, and begin twisting the entire caster clockwise. Once the stem stops spinning with the wheel, the caster is properly installed.

These instructions are meant to be a guide, and are not a substitute for construction experience. Consider consulting a contractor for your installation. For more information regarding Simple Rail, visit our website at <https://www.simplifiedbuilding.com/>, or speak to one of our team members, at 1 (888)527-2278.