

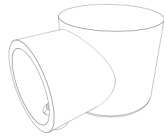
# Simple Rail

ADA 518 Single

SIMPLIFIED  
BUILDING



2X  
62-8  
Standard Railing  
Flange



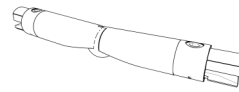
2X  
10-840C  
Single Handrail  
Socket Capped



2X  
518-7  
Handrail  
Bracket



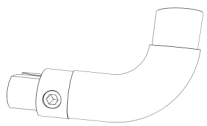
2X  
10-848  
Single Handrail  
Socket



2X  
554/514-7  
Variable Angle  
w/ Internal Couplings



4X  
520/514-7  
90° Solid Elbow  
w/ Internal Couplings



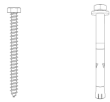
2X  
567/514-7  
End Post  
Handrail Return



1X  
99-7  
5/16"  
Allen Key



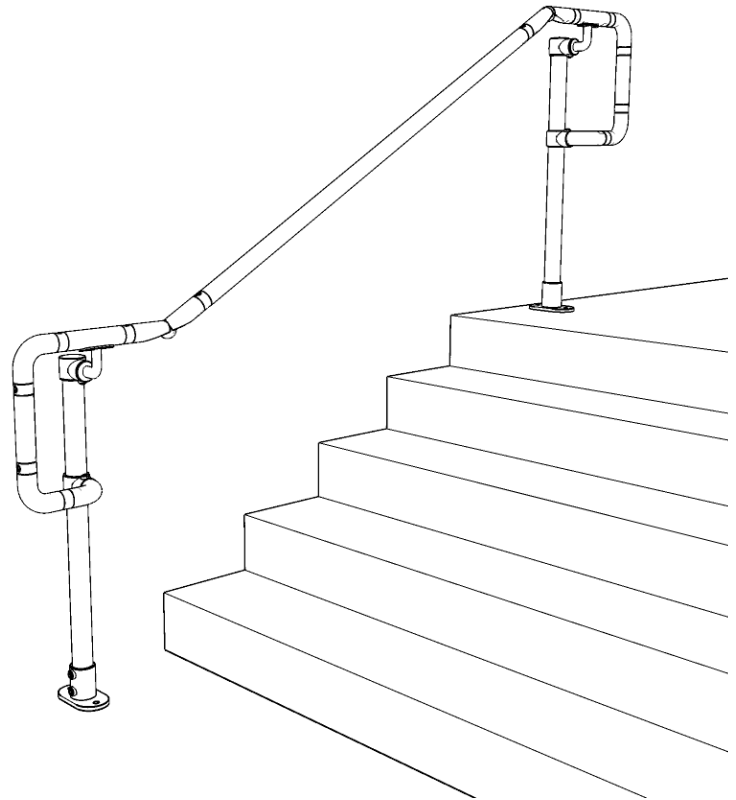
1X  
99-6  
1/4"  
Allen Key



4X(each)  
Flange Fasteners  
for Wood or  
Concrete

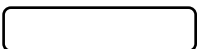


4X  
#10 x 3/4  
Self Tapping  
Screws

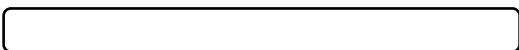


## Pipe

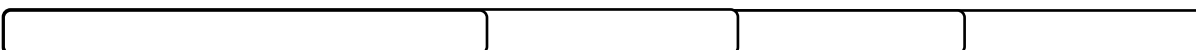
Short D-Return Pieces, 6 inches (4X)



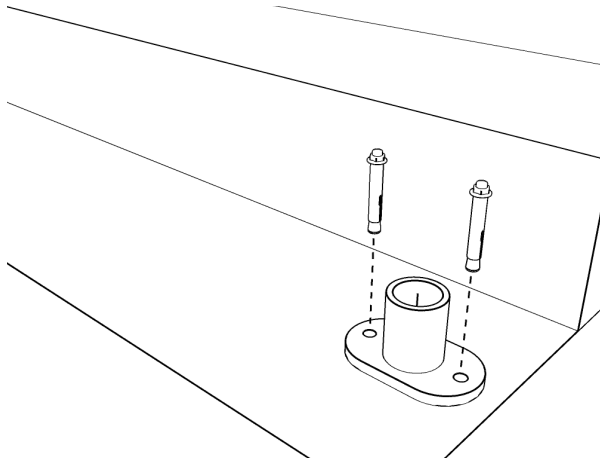
Posts, 32.5 inches (2X)



Handrail, Length Varies (1X)



1.



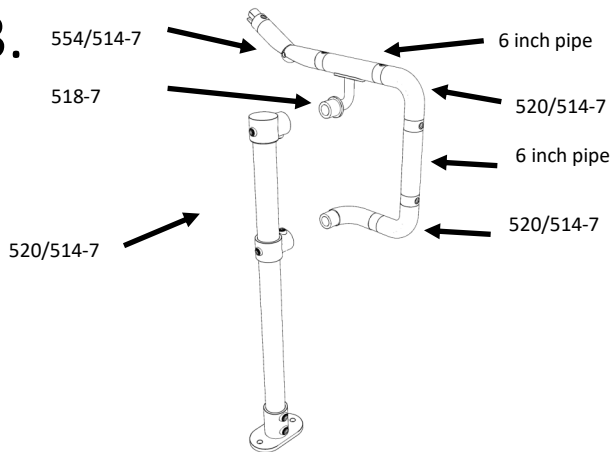
Mark and drill 1/2" holes for the flange fasteners. Use the lag screws for wood, and the sleeve anchors for concrete or masonry. Consult a contractor for any nontypical mounting surfaces.

2.



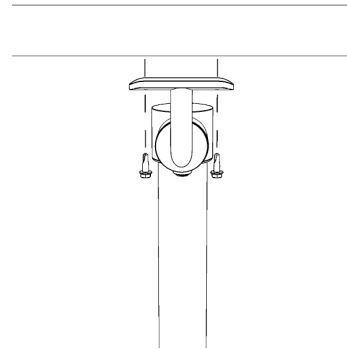
Slide the post pipe into flange socket. Slide 10-848 and 10-840C onto the post pipe as indicated above, 11 1/4 inches apart from center to center. Tighten set screws. Perform this action for both posts.

3.



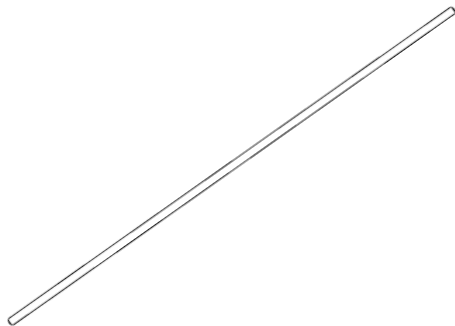
Assemble the rest of the post per the diagram above. Tighten all set screws using the provided Allen keys. Perform this action for both posts.

4.



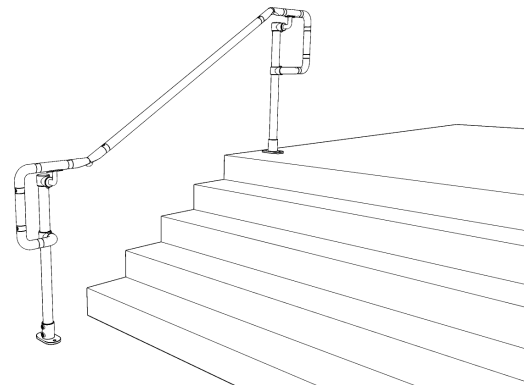
Mount the 6 inch pipe resting on the 518-7 Handrail Bracket by centering the pipe in the bracket. Screw through the fixing holes into the pipe using the #10 x 3/4 inch Self Tapping Screws. Perform this action for both posts.

5.



Measure the distance between the variable angles for your grab rail length. Trim the grab rail to the proper length, using a band saw or chop saw.

6.



Attach the grab rail to the internal couplings on each end. Tighten set screws on couplings and flanges.

Push and pull on the railing to check for sturdiness. If there is any movement, retighten all set screws.

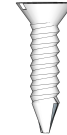
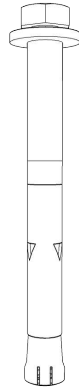
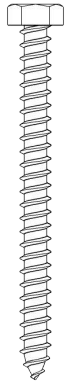
## ADA Rules

1. ADA Railing must be smooth and continuous. Both sides of a ramp or stairs must have railing to be compliant.
2. Finished railing height must fall between 34" and 38" above the floor. This kit has 2x 32.5" posts included which place rail height at 36".
3. Railing ends need to return either into a post or a wall to prevent snagging or injury from a protruding pipe end. This kit is designed to return into the post via use of a looped return.
4. Railings should level out and extend approximately 12" at the top and bottom of ramps or stairs. This kit uses variable angles to level out the handrail.

These instructions are meant to be a guide, and are not a substitute for construction experience. Consider consulting a contractor for your installation. For more information regarding Simple Rail, visit our website at <https://www.simplifiedbuilding.com/>, or speak to one of our team members, at 1 (888)527-2278.

# Hardware Instructions

SIMPLIFIED  
**BUILDING**



## Packet 1

### Lag Screws:

Used for mounting 62's to wood.

### Hardware Specifications:

1/2" x 3" long screw.

### Qty: 4

Drill pilot hole in desired location using a 5/16" wood drill bit. Ensure that hole is 2 1/2" deep. Fix flange to wood using a 3/4" wrench or drive socket.

## Packet 2

### Sleeve Anchors:

Used for mounting 62's to concrete or brick.

### Hardware Specifications:

1/2" x 3" long anchor.\*

### Qty: 4

*\*Leave Sleeve Anchors Assembled. Do Not Remove Washer or Nut from Bolt*

Drill hole in desired location using a 1/2" concrete drill bit. Ensure that hole is 2 3/4" deep. Be sure to vacuum out all debris from the holes.

Place flange in correct place. Tap anchor through the flange hole and into the drilled out hole.

Tighten Nut until fixed using a 1/2" wrench or socket drive.

## Packet 3

### Self-Drilling Screws:

Used for securing Grab Rail to 518's or 570's.

### Hardware Specifications:

1" long metal self tapping screw.

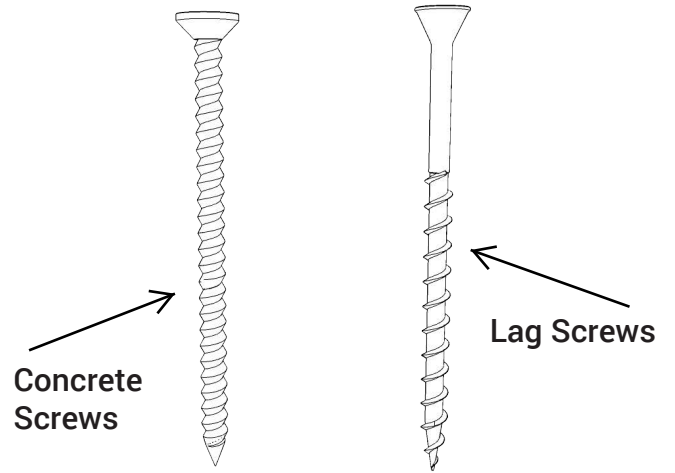
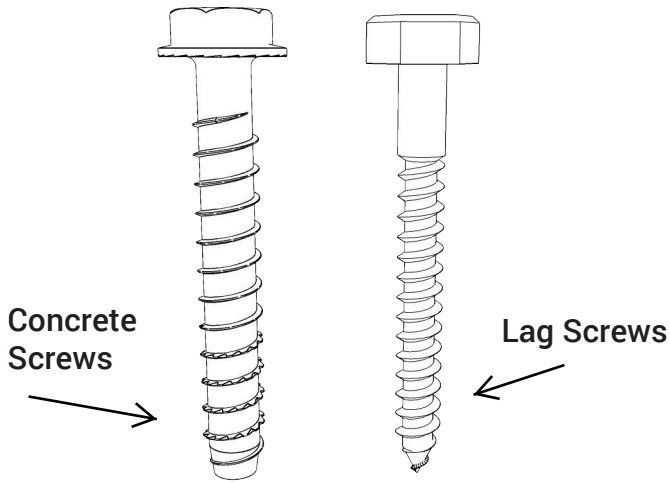
### Qty: 5

No pilot hole needed. Use 5/16" Philips head bit on drill and attach screw to Grab Rail at desired location.

## Questions or Installation Problems?

Customer Service | 1.888.527.2278

**Disclaimer:** Connecting hardware is included as a courtesy to assist you in your installation. It may not be suitable for every base material. If you have any questions, we encourage you to contact us or a professional engineer.



## Packet 4

### Lag Screws:

Used for mounting the M58 Base Plate to wooden wall.

### Hardware Specification:

3/8" x 2 1/2" long screw.

### Qty: 2

Drill pilot hole in desired location using a 3/16" wood drill bit. Ensure that hole is 2 1/4" deep. Fix base plate to wood using 1/2" wrench or socket drive.

### Concrete Screws:

Used for mounting the M58 Base Plate to concrete or brick wall.

### Hardware Specification:

3/8" x 2 1/2" long concrete screw.

### Qty: 2

Drill hole in desired location using a 3/8" concrete drill bit. Ensure that hole is 2 1/2" deep. Fix base plate to wood using 1/2" wrench or socket drive.

## Packet 5

### Lag Screws:

Used for mounting the 570's to wooden wall.

### Hardware Specification:

1/4" x 2 1/4" long screw.

### Qty: 3

Drill pilot hole in desired location using a 1/8" wood drill bit. Ensure that hole is 2 1/4" deep. Fix bracket to wood using Philips head attachment on drill or Philips head screw at desired location.

### Concrete Screws:

Used for mounting the 570's to concrete or brick wall.

### Hardware Specification:

1/4" x 2 1/4" long concrete screw.

### Qty: 3

Drill hole in desired location using a 1/4" concrete drill bit. Ensure that hole is 2 1/4" deep. Fix bracket to wood using Philips head attachment on drill at desired location.

## Questions or Installation Problems?

Customer Service | 1.888.527.2278

**Disclaimer:** Connecting hardware is included as a courtesy to assist you in your installation. It may not be suitable for every base material. If you have any questions, we encourage you to contact us or a professional engineer.